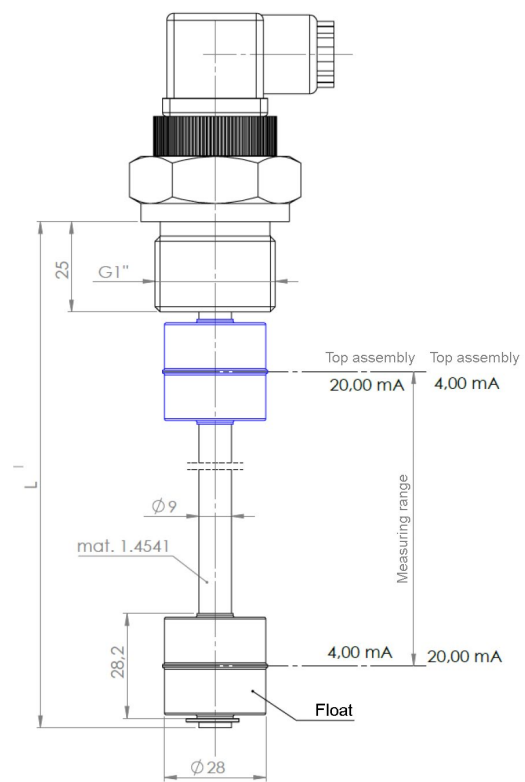


## Float level probe **SP-1**

### Technical description

<b>Characteristic</b>
– liquid level senso
– sensor mounting method: top or bottom
– housing made of stainless steel 1.4541
– quick and easy assembly
<b>Measurement range</b>
(4 ÷ 20) mA
<b>Accuracy</b>
± 1 cm - depends on the density (g) of the liquid; g min > 0.45 g/cm <sup>3</sup>
<b>Electrical connection</b>
socket + plug GSP
<b>Process connection</b>
G1" thread or other
<b>Max. liquid temperature</b>
60°C or other
<b>Power supply</b>
24 V DC (28 V DC max.)
<b>Installation method</b>
vertical



### Ordering example

Float level probe **SP-1-L-G**